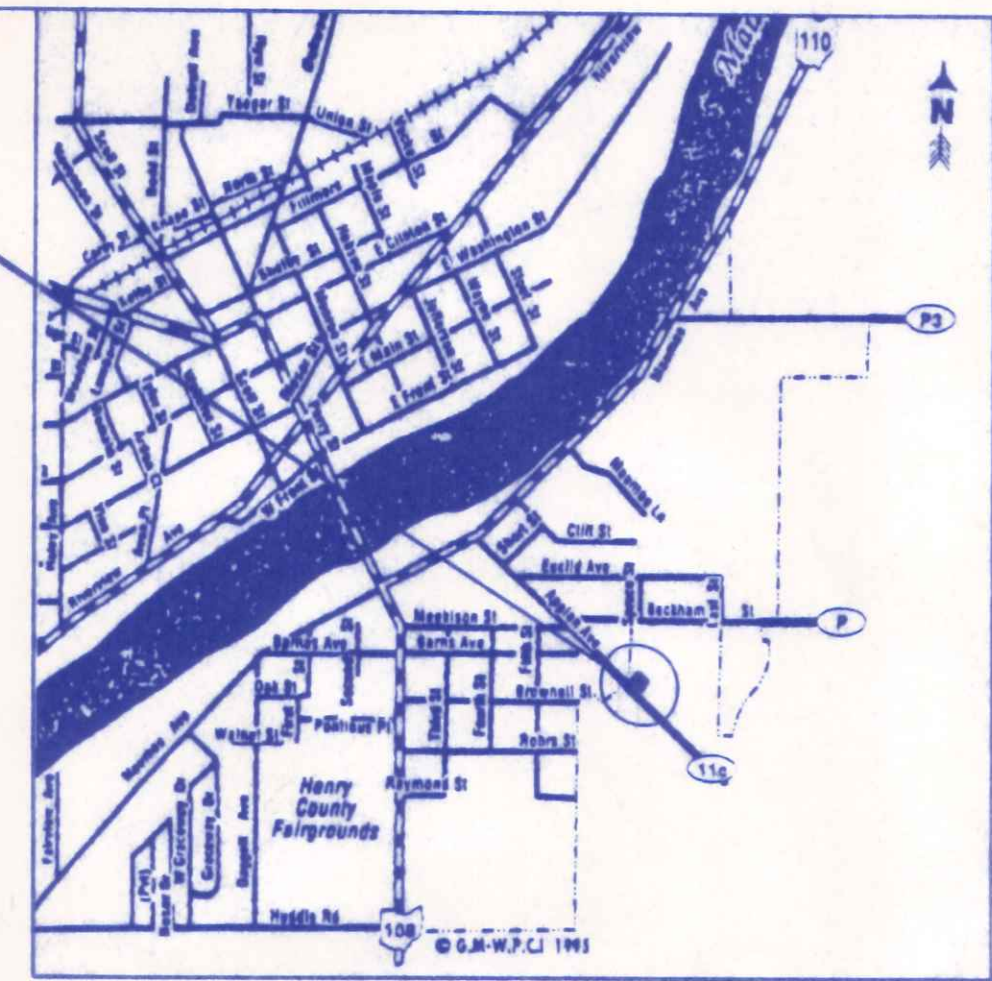


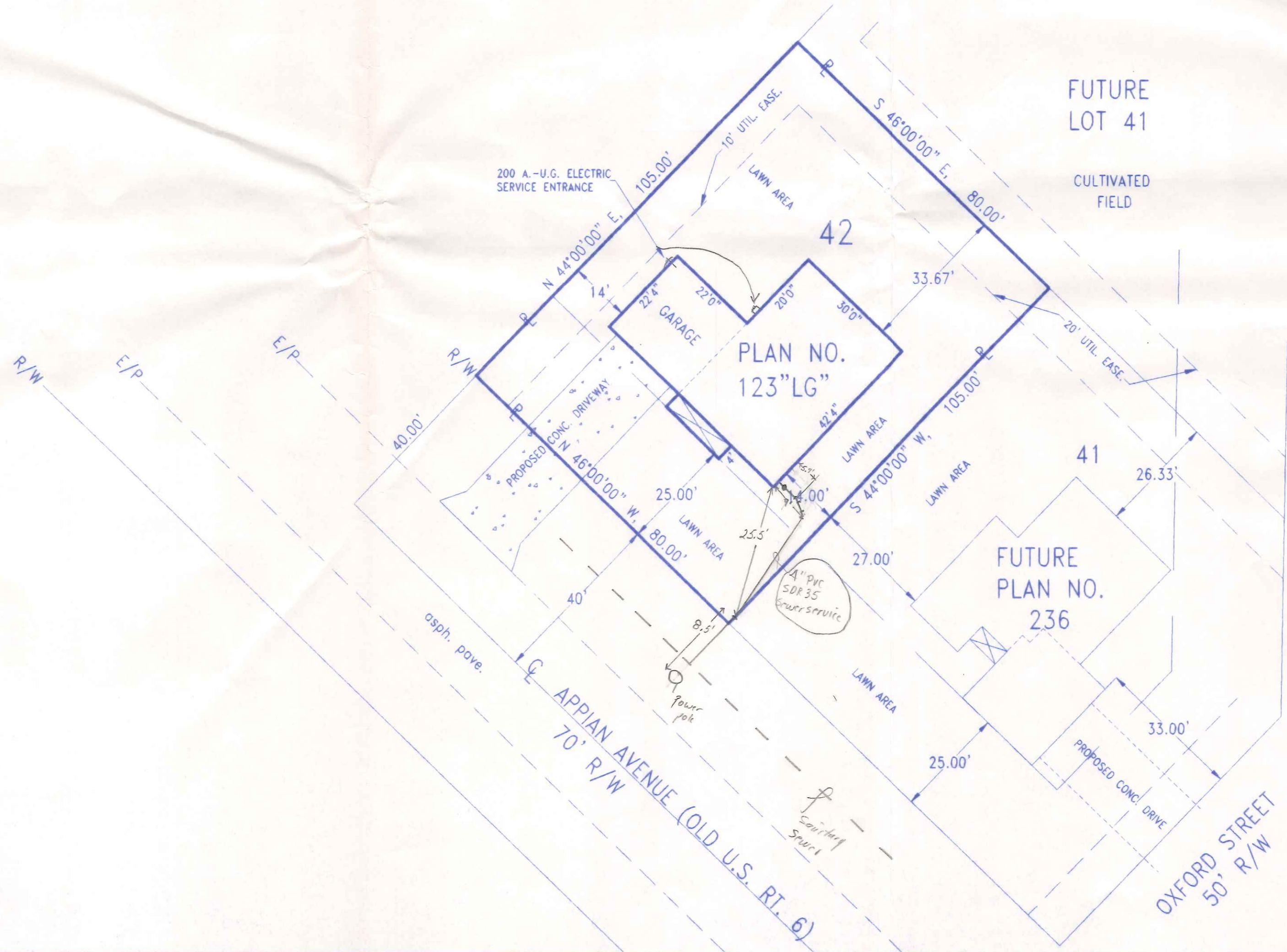
TYPICAL APPROACH CROSS SECTION
SCALE: 1" = 10'



LOCATION MAP



OHIO UTILITIES PROTECTION SERVICE
The underground utilities shown hereon are only approximate. Some of the utilities were located by field observation, where possible, and the remaining utilities were derived from various records. Exact locations must be determined by the UTILITY COMPANIES. For exact locations, telephone the Ohio Utilities Protection Service (O.U.P.S.) toll free at 1-800-362-2764. (Telephone 2 working days before any digging.)



FUTURE LOT 41

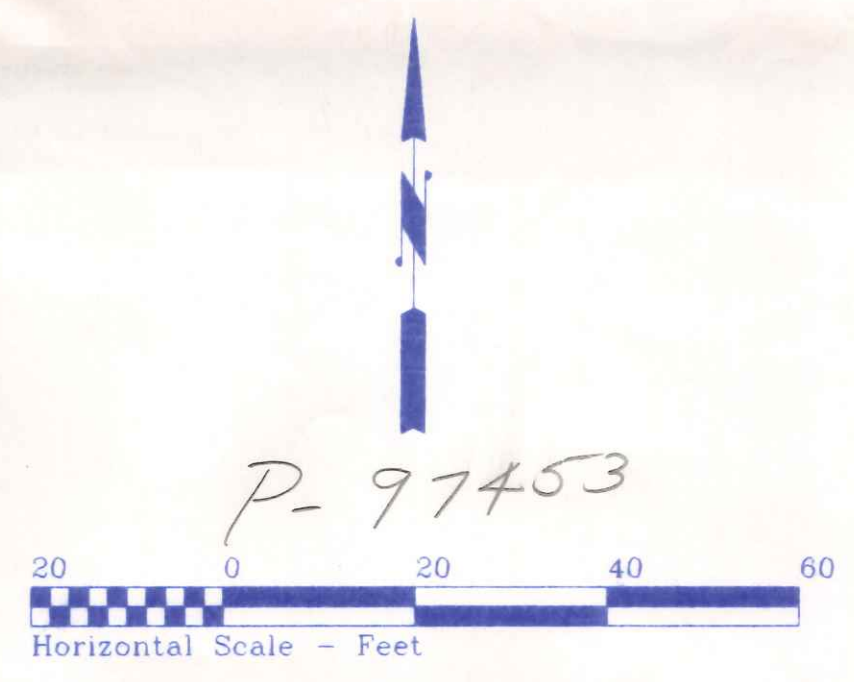
CULTIVATED FIELD

FUTURE PLAN NO. 236

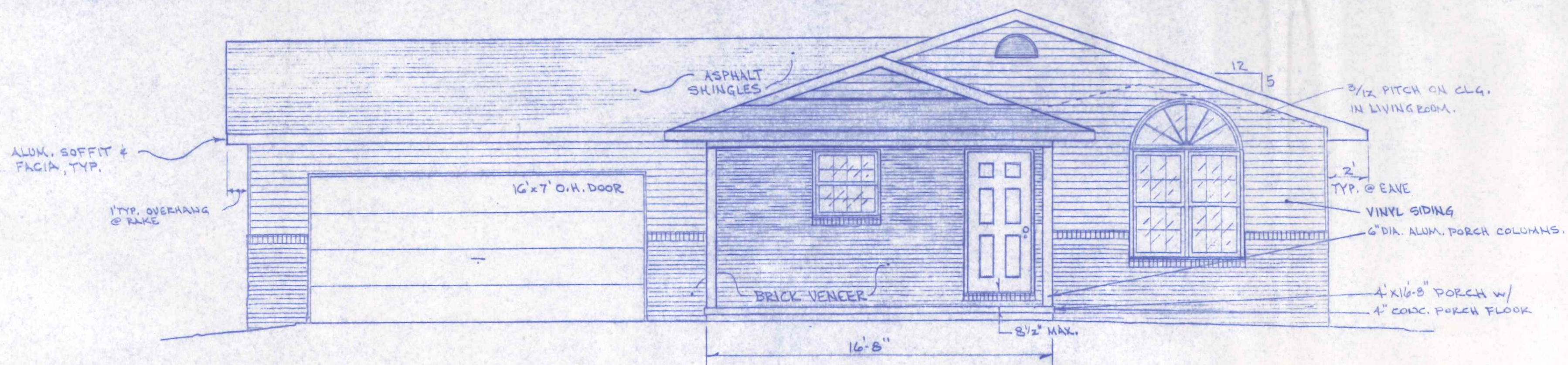
APPROVED

638 Appian

SITE LOCATION PLAN
FOR
LOT NO. 42
PICKETT FENCES SUBDIVISION
CITY OF NAPOLEON, NAPOLEON TWP.
HENRY COUNTY, OHIO

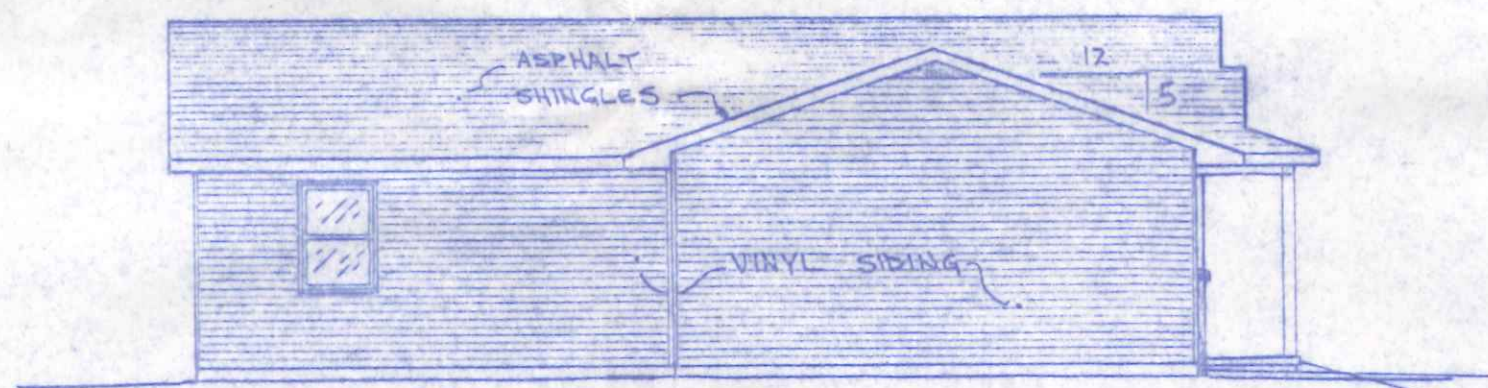


	BECK CONSTRUCTION CO	
	COUNTY ROAD M 419/592-8307 NAPOLEON, OHIO	
DIRECTORY: C:\BECK\PICKETT\FENCES	DRAWN BY: R.D.S.	
FILE NAME: LOTS 42-19	REVISED:	
LOT 42, PICKETT FENCES	SCALE: 1" = 20'	
SITE PLAN	DATE: NOVEMBER 1997	
	DRAWING NUMBER:	S - 1



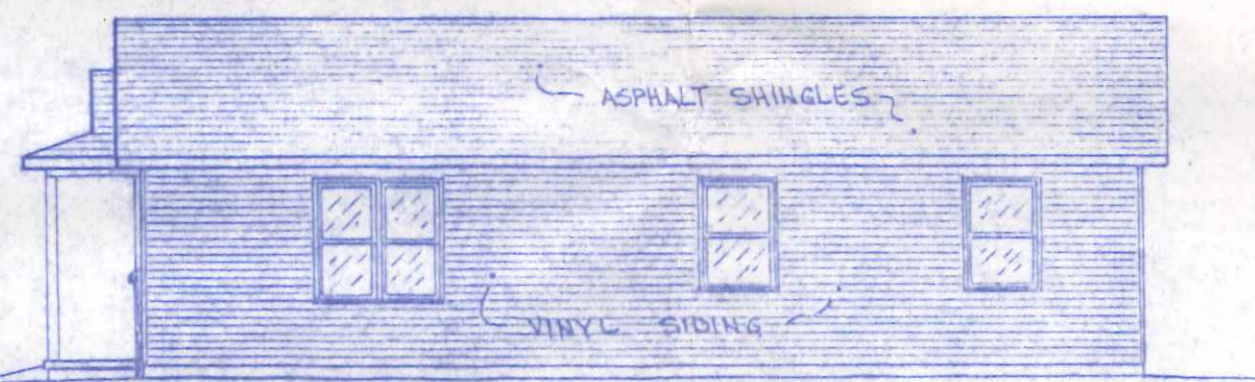
FRONT ELEVATION

1/4" = 1'-0"



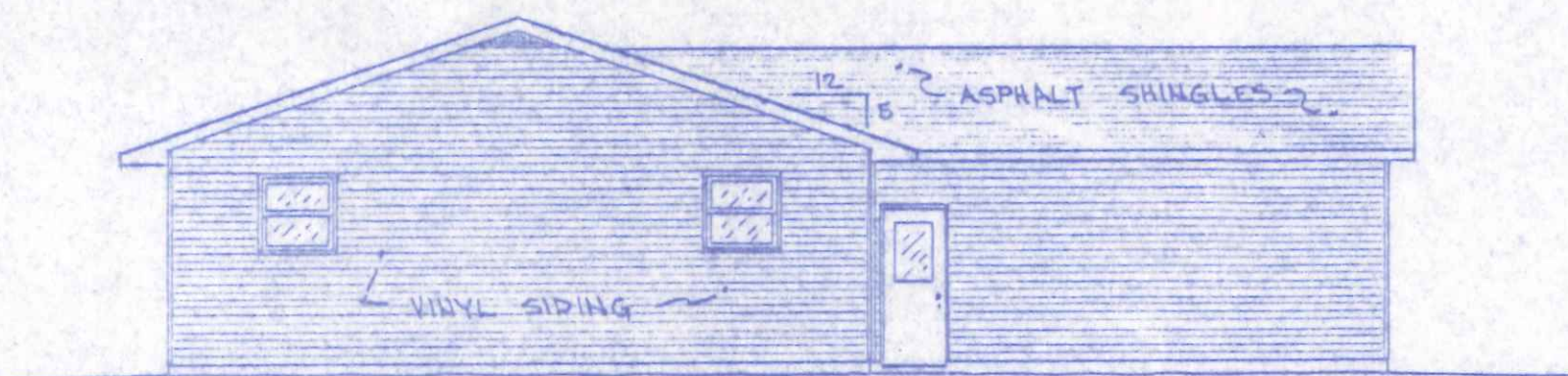
LEFT SIDE ELEVATION

1/8" = 1'-0"



RIGHT SIDE ELEVATION

1/8" = 1'-0"

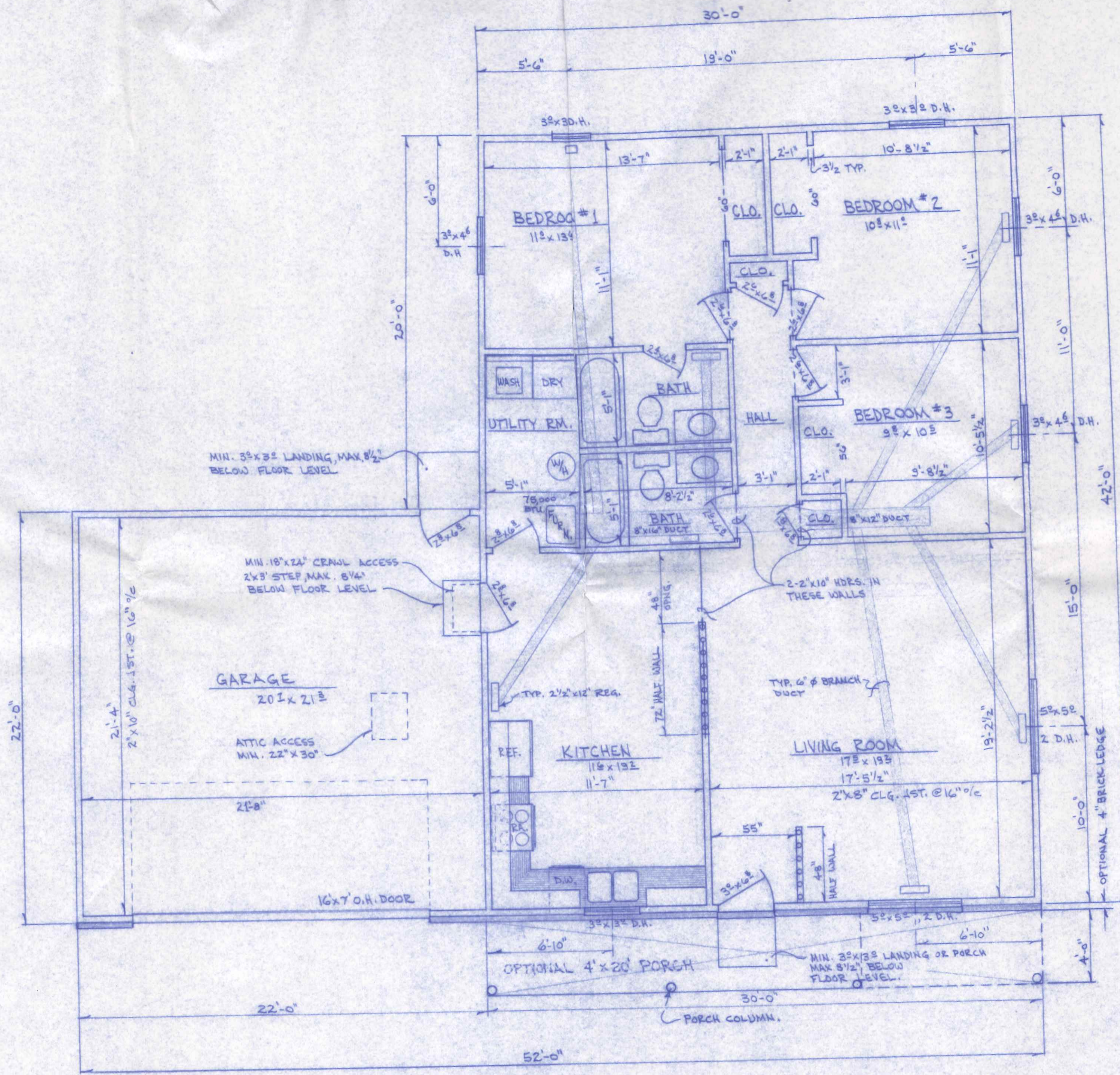


REAR ELEVATION

1/8" = 1'-0"

DWN. BY
E.D.S.
DATE
NOV. 1986

BECK'S CONSTRUCTION CO.
PLAN NO. 123 "LG"



AREAS

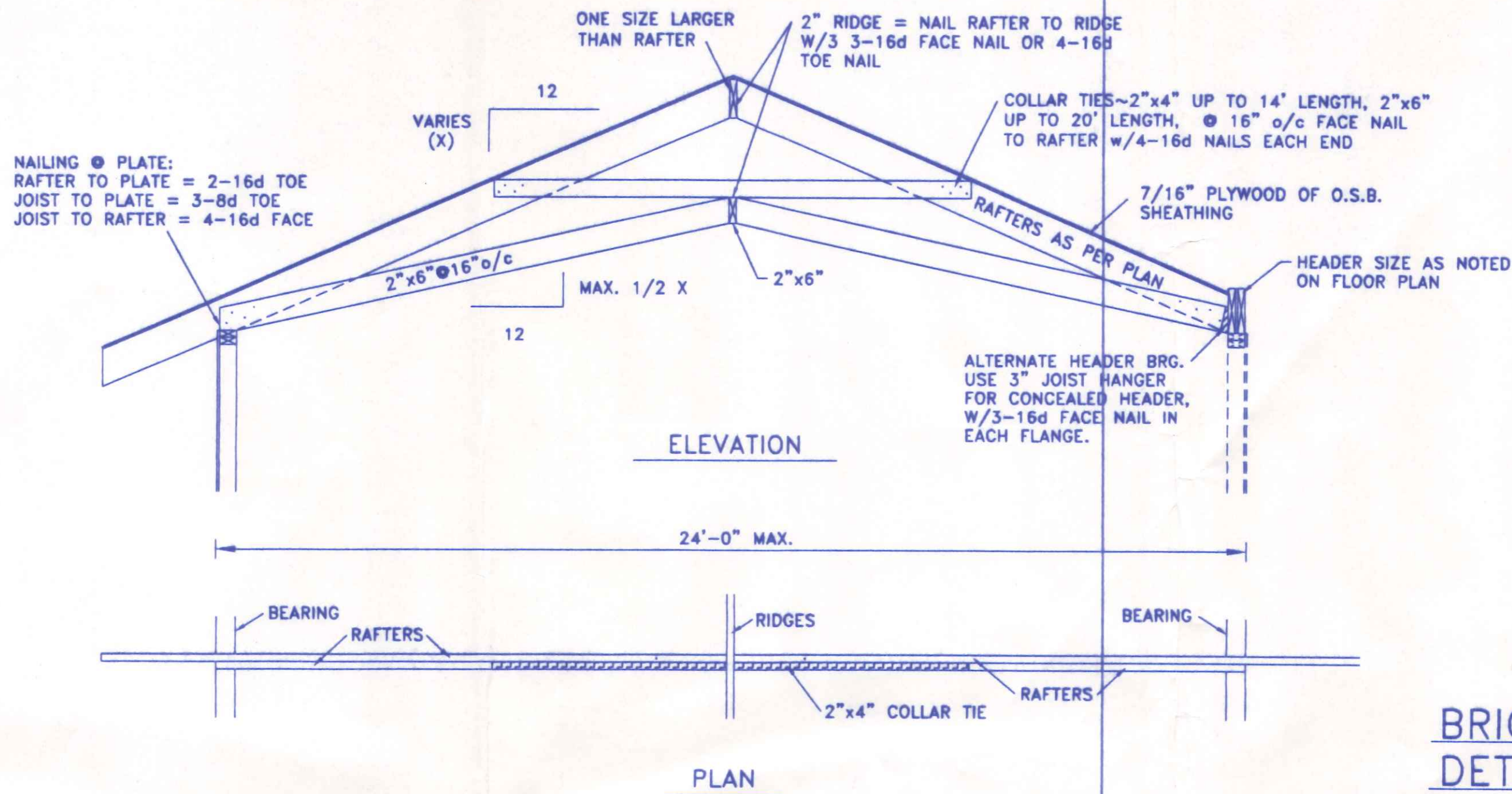
LIVING AREA:	1,270 SQ. FT. (GROSS)
GARAGE:	491.3 " "
PORCH:	VARIES

NOTE:
 1.) ALL EXTERIOR WALL OPENING HEADERS SHALL BE 2-2"x10", EXCEPT GARAGE DOOR.
 2.) ALL INTERIOR WALL OPENING HEADERS SHALL BE 2"x4" EXCEPT AS NOTED.

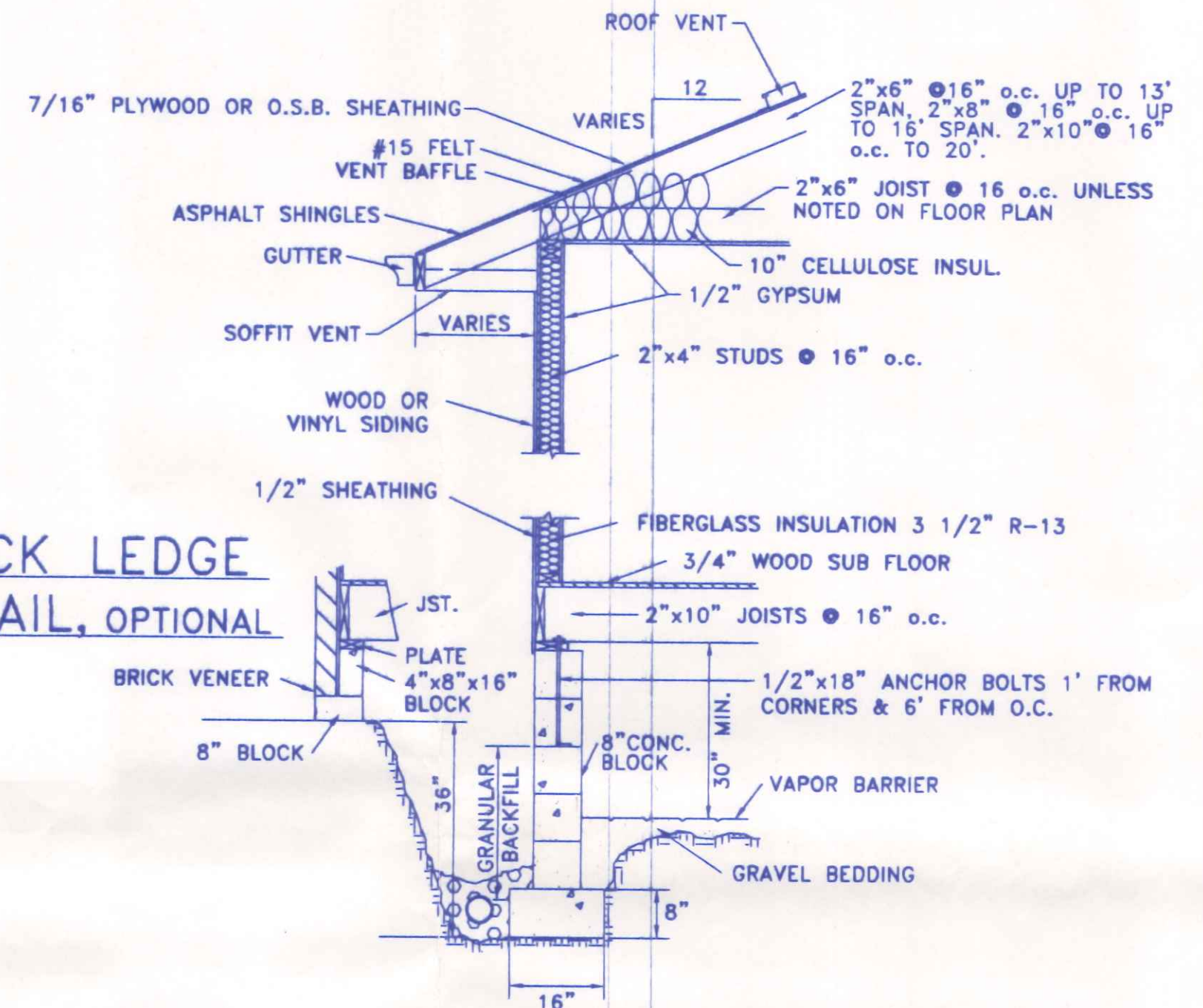
FLOOR PLAN w/ HEATING LAYOUT
 1/4" = 1'-0"

DWN. BY
 E.D.S.
 DATE
 NOV. 1986

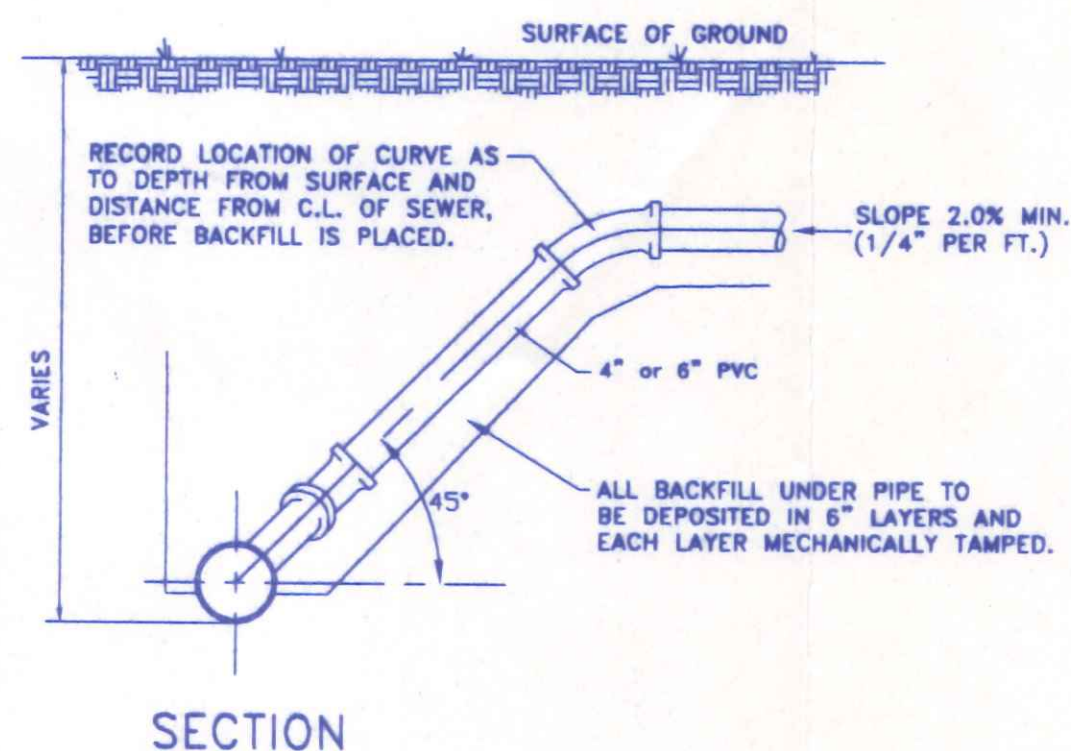
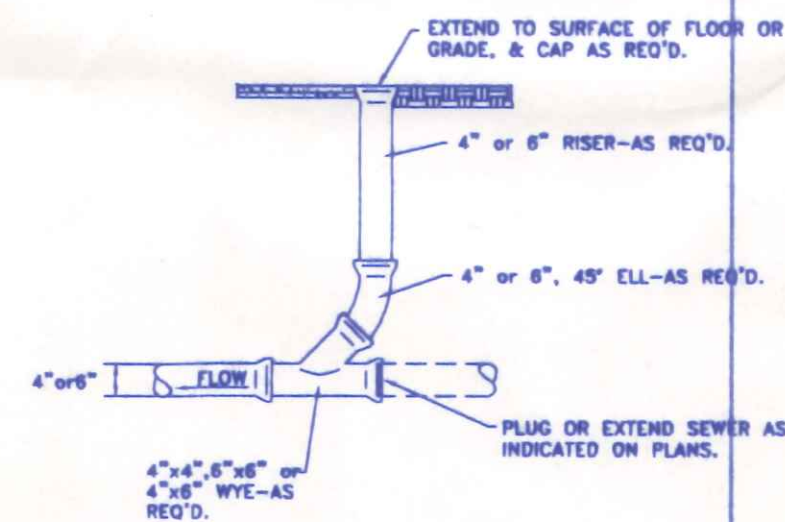
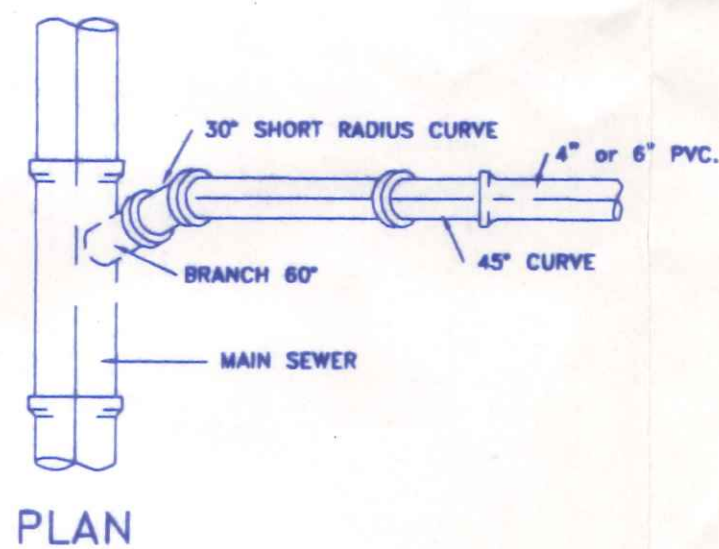
BECK'S CONSTRUCTION CO.
 PLAN NO. 123 "L"



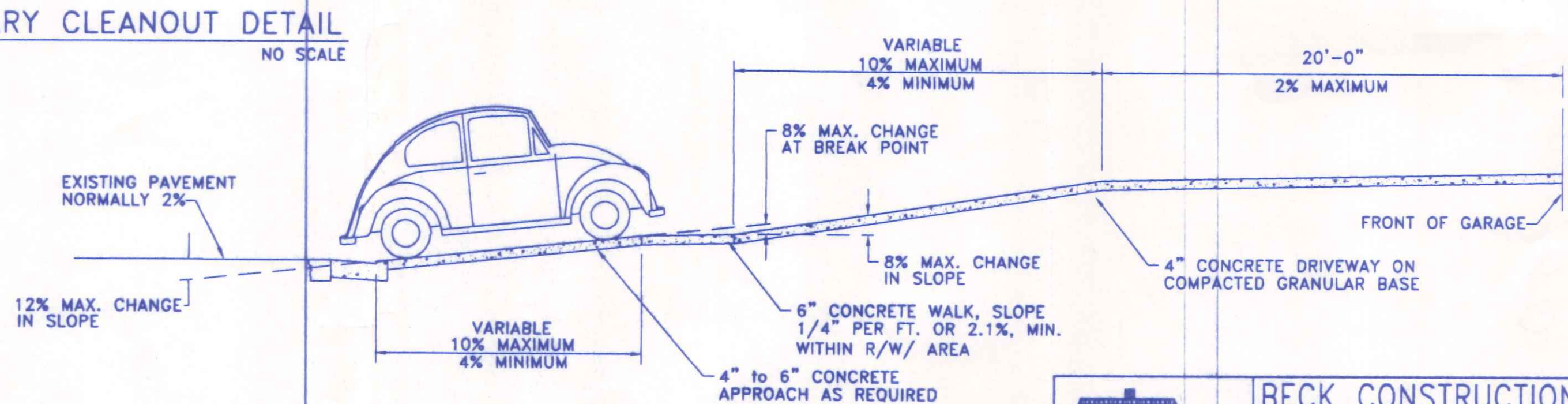
VAULTED CEILING FRAMING
 USE ONLY WHERE NOTED ON PLAN



TYPICAL CROSS-SECTION



SANITARY SEWER CONNECTION
 NO SCALE



		BECK CONSTRUCTION CO	
COUNTY ROAD M		419/592-8307	NAPOLEON, OHIO
DIRECTORY: C:\BECK\SPEC	DRAWN BY: R.D.S.		REVISED:
FILE NAME: DETAILS.DWG	SCALE: VARIES		DATE: MAY 1997
PLAN NO. 123 "L"	DRAWING NUMBER: 4 OF 4		
CROSS SECTIONS & DETAILS			